

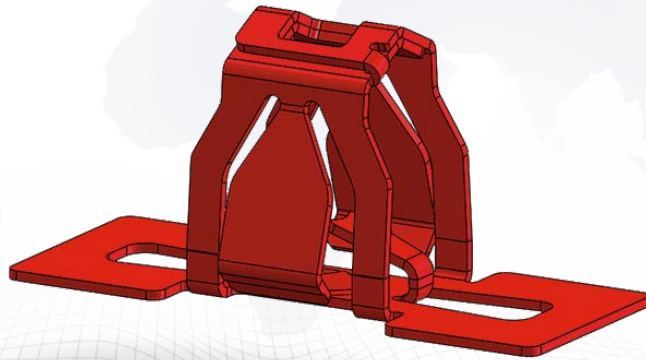
INTRODUCING

High Retention Clip

PART # 68418

VALUE ADD:

- ✓ Designed for High Retention
- ✓ GM PN 11602646
- ✓ Lock Top Feature
- ✓ Prevailing Torque Tabs



LAUNCH DATE: 8/2018

**Max Insertion
from Panel:**

12 lbs. (53.4 N)

**Min Extraction
from Panel:**

150 lbs. (667 N)
200 lbs. (889 N)

**Varies with Panel
Thickness*

**Recommended
Panel Range:**

0.7 mm – 0.9 mm



(847) 519-1500 ext. 211 • www.termax.com

YOUR GLOBAL ENGINEERING SOLUTIONS PROVIDER